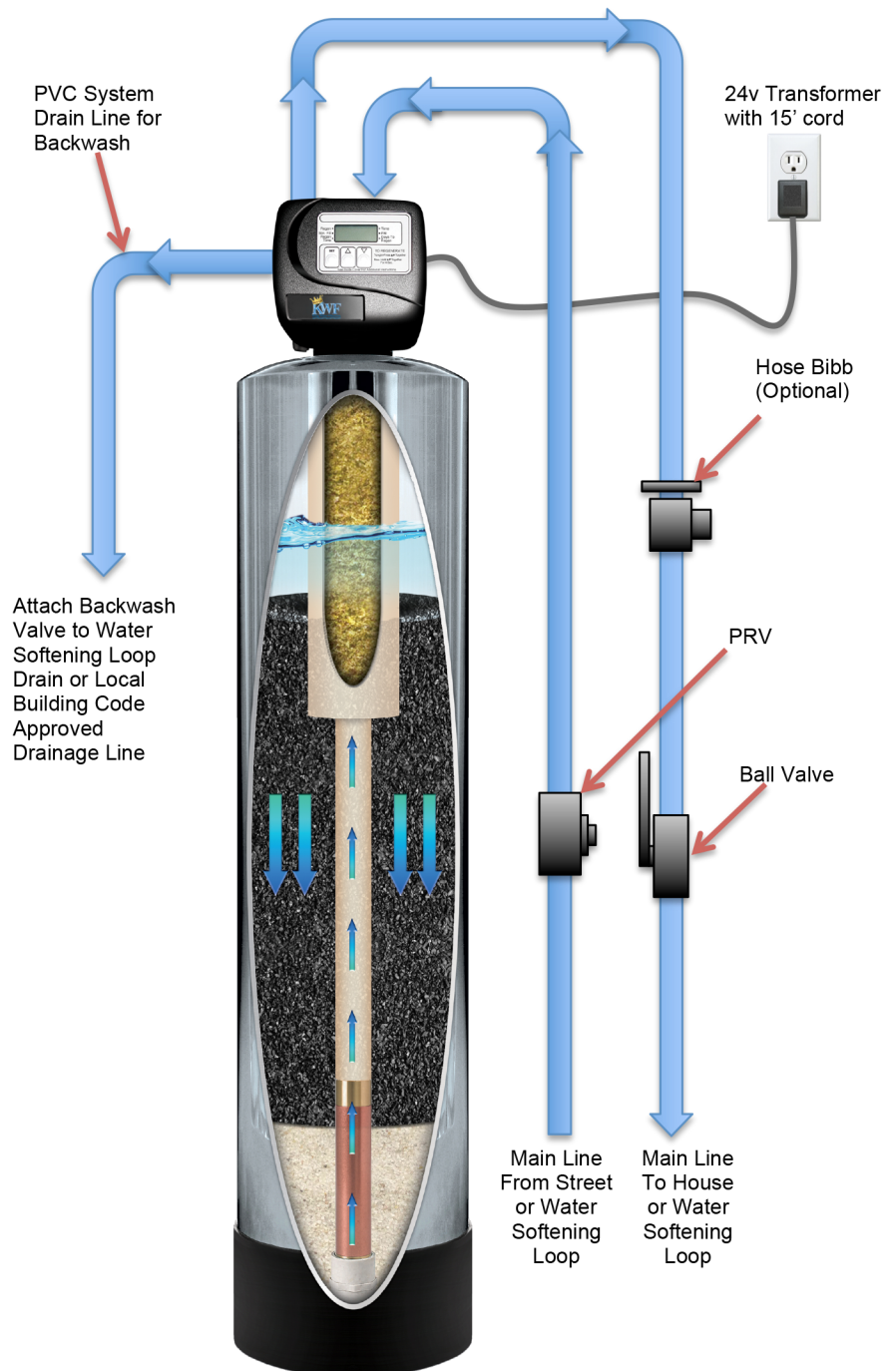


Installation Instructions

1. Connect Inlet/Outlet of system to the water loop or main line to the house. Make sure to identify correctly the Inlet and Outlet of system with the waterline.
2. Plumb system drain line.
3. Plug in system and set the time. (See operations manual)
4. Turn on the water to the system, make sure the system is in the "Bypass" position. (Figure 2)
5. Check for water leaks, repair if necessary.
6. Regenerate the system.
7. Slowly open the inlet side of the bypass and allow water to fill the tank. (Figure 4)
8. When water is flowing to drain, close the bypass inlet valve and let the system "soak" the media for 2 hours. (Figure 2)
9. Regenerate the system again and slowly open the inlet valve, when water is flowing to drain slowly open the outlet valve. (Figure 1)
10. Let the system completely finish its backwash cycle. (It will do it automatically)
11. Start enjoying your new King Water Filtration System.



******Installation should only be done by an authorized professional that is familiar with local building codes******

Figure 1

NORMAL OPERATION

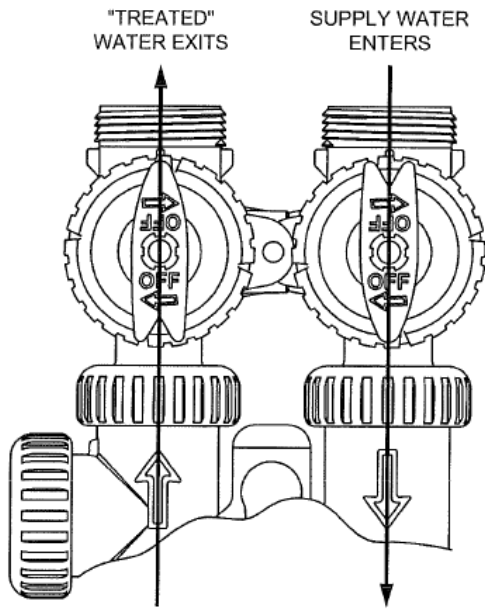


Figure 2

BYPASS OPERATION

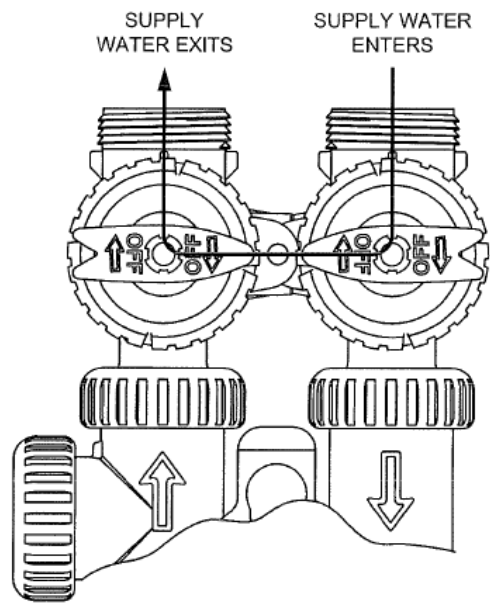


Figure 3

DIAGNOSTIC MODE

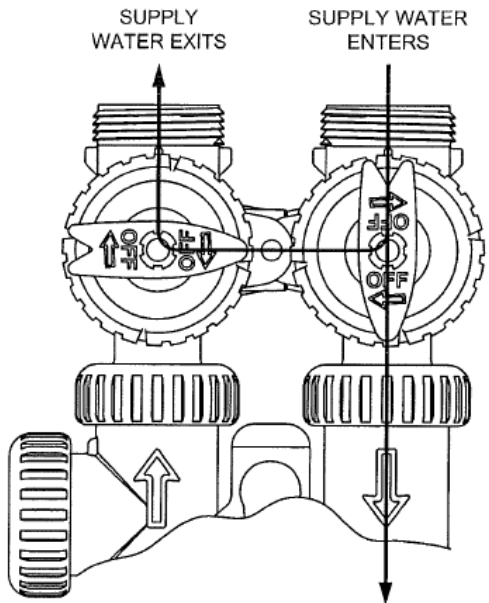


Figure 4

SHUT OFF MODE

